

## RM1705



17" Rack Mount LED Monitor, 1280 x 1024, 250 cd/m<sup>2</sup>, 1x VGA

**optional:** resistive touch, capacitive touch, saw touch, infrared touch, protected glass

Winsonic

### Schnittstelle Rückseite

VGA	1
Audio Out	1

### Audio

Lautsprecher	2x 2W
--------------	-------

### Betriebsbedingungen

Breite	482 mm
Höhe	399 mm
Tiefe	111 mm
Gewicht	6 kg
min. Betriebstemperatur	0 °C
max. Betriebstemperatur	50 °C
Eingangsspannung	AC 90 - 260 V
Stromverbrauch	30 W
Zertifikate	FCC, CE
Feuchtigkeit	10 ~ 90% (non-condensing)

### Display

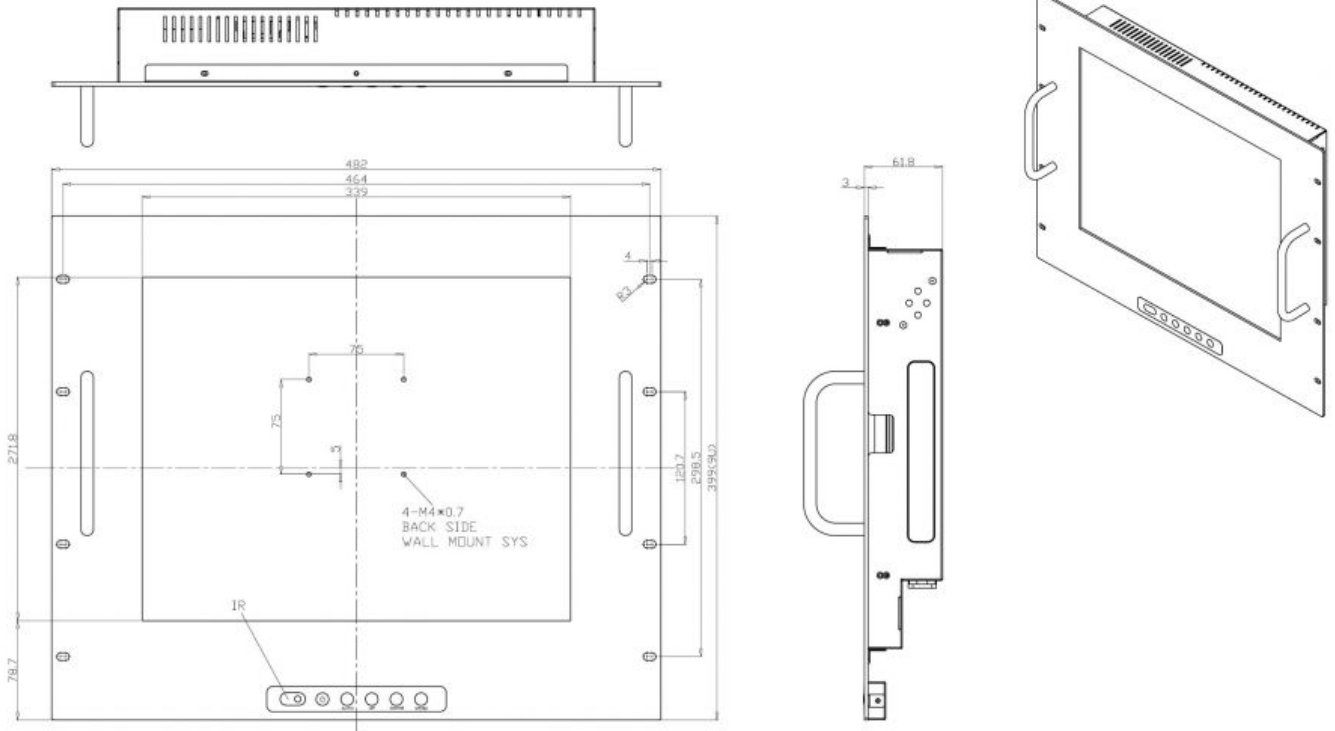
Zoll	17 "
Auflösung Breite	1280
Auflösung Höhe	1024
Lumen	250 cd / m <sup>2</sup>
Hintergrundbeleuchtung	LED
MTBF	35000 h <sup>2</sup>
Farben	16700000
Kontrast	800 : 1

## Mounting

VESA 75 x

Wandbefestigung x

## Technische Zeichnungen



## Zubehör

Rack Mount Metal 3mm

*Rack Mount Metal 3mm*

1x DVI

*optional 1x DVI*

Light Sensor

*optional: Light Sensor*

Motion Sensor

*optional: Motion Sensor*

Networking Digital Signage 480p

*optional: Networking Digital Signage 480p*

Networking Digital Signage 720p/1080p

*optional: Networking Digital Signage 720p/1080p*

---

OEM Infrarot / Infrared Touch

*optional: OEM Infrarot Touch*

---

Projizierter Kapazitiver Touch / Projected Capacitive Touch 6mm (Anti Vandalism)

*optional: Projizierter Kapazitiver Touch 6mm (Anti Vandalismus) / Projected Capacitive Touch 6mm (Anti Vandalism)*

---

Projizierter Kapazitiver Touch / Projected Capacitive Touch

*optional: Projizierter Kapazitiver Touch / Projected Capacitive Touch*

---

Projizierter Kapazitiver Touch / Projected Capacitive Touch (Zytonic) MOQ 10

*optional: Projizierter Kapazitiver Touch / Projected Capacitive Touch (Zytonic) MOQ 10*

---

Resistiver Touch (ELO) / Resestive Touch (ELO)

*optional: Resistiver Touch (ELO) / Resestive Touch (ELO)*

---

Resistiver Touch / Resestive Touch

*optional: Resistiver Touch / Resestive Touch*

---

RS-232 Remote Control F2482

*optional: RS-232 Remote Control, only for F2482*

---

RS-232 Remote Control SE98X

*optional: RS-232 Remote Control, only for SE98X*

---

SAW Touch

*optional: SAW Touch*

---

SAW Touch (ELO)

*optional: SAW Touch (ELO)*

---

SAW Touch 6mm Anti-Vandalismus / Anti-Vandalism

*optional: SAW Touch 6mm Anti-Vandalismus / Anti-Vandalism*

---

SV + AV

*optional: SV + AV*

---

LED Backlight - 450 cd/m<sup>2</sup>

*optional: LED Backlight - 450 cd/m<sup>2</sup>*

---

LED - Backlight - 700cd/m<sup>2</sup>

*optional: LED - Backlight - 700cd/m<sup>2</sup>*

---

1x DVI + 1x HDMI

*optional: 1x DVI + 1x HDMI*

---

1x DVI + AV + Looping

---

*optional: 1x DVI + AV + Looping*

24V DC-IN

*optional: 24V DC-IN*

Anti Reflektion Glas / Anti-Reflection Glas 3mm

*optional: Anti Reflektion Glass 3mm*

Anti Reflektion Glas / Anti-Reflection Glas 6mm (Anti-Vandalismus / Anti-Vandalism)

*optional: Anti Reflektion Glass 6mm (Anti-Vandalismus)*

Auflösung / Resolution: max. 720p

*optional: Auflösung/Resolution: max. 720p*

AV + Looping

*optional: AV + Looping*

Blickschutz Filter / Look Protection Filter

*optional: Blickschutz Filter / Look Protection Filter*

Color Graphics Adapter

*optional: Color Graphics Adapter*

Externe / External OSD - Box

*optional: Externe OSD - Box*

HD-SDI (High Definition Serial Digital Interface) Receiver

*optional: HD-SDI (High Definition Serial Digital Interface) Receiver*

HD-SDI (High Definition Serial Digital Interface) Receiver + Looping

*optional: HD-SDI (High Definition Serial Digital Interface) Receiver + Looping*

Kapazitiver Touch / Capacitive Touch

*optional: Kapazitiver Touch / Capacitive Touch*

Kapazitiver Touch / Capacitive Touch (3M)

*optional: Kapazitiver Touch / Capacitive Touch (3M)*

Kapazitiver Touch / Capacitive Touch 6mm (Anti-Vandalismus / Anti-Vandalism)

*optional: Kapazitiver Touch / Capacitive Touch 6mm (Anti-Vandalismus / Anti-Vandalism)*

LED - Backlight - 1000cd/m<sup>2</sup>

*optional: LED - Backlight - 1000cd/m<sup>2</sup>*

1x DVI + SV + AV

*optional: SV+ AV + 1x DVI*